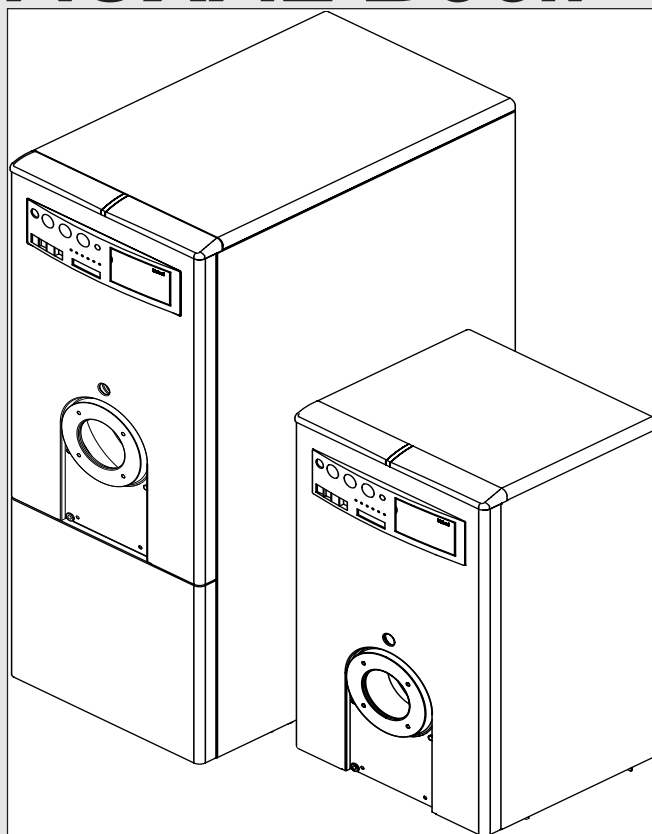


Unical[®]

AUXAL R *AUXAL Bcell*



PIECES DE RECHANGE

